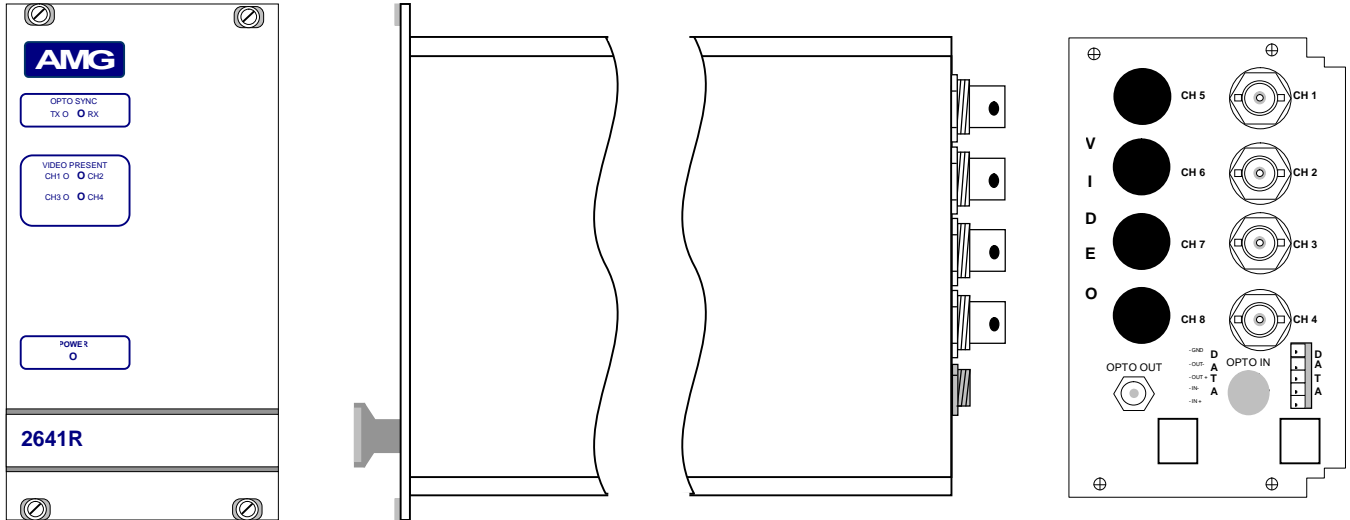




AMG2641R Instruction Manual

Four Channel Video TX Unit



AMG2641R is a four channel video only transmit unit designed to transmit four video signals down one multimode fibre. The **AMG2641R** is designed to plug into an **AMG2000** or an **AMG2005** subrack which in turn fits into a 19" rack system.

The **AMG2641R** is designed to operate with **AMG2642R** eight channel video only receive unit.

Connections

Video Input Connections

- No of Channels4
- Connectors75 ohm BNC Socket.
- Input Impedance75 ohm terminated.
- Input Level1 volt p-p nominal
- Frequency Response10Hz to 5.75MHz min.

Optical Connections

- OPTO OUT
- ConnectorST
- Optical Launch Power0 to -5dBm
- Wavelength1310nm

Note: - The transmission distance on multimode fibre will tend to be limited by the bandwidth of the fibre rather than the optical dynamic range. It is recommended that 50/125 optical fibre is used as this will have a higher bandwidth than 62.5/125 fibre. The **AMG2641R** and **AMG2642R** will transmit and receive over a minimum of 1km of 62.5/125 fibre and will typically transmit and receive over 2km of 50/125. The transmission distance will typically be longer than this but will depend of the performance of the optical fibre.

Power Connection

Power supply from plug in connection on the **2000** or **2005** subrack
Power consumption 10 Watts max.

Indicators

Power	Green	– unit powered
	Off	– no power applied to unit
Opto Sync TX	Green	- Optical channel transmitting
	Off	- Optical channel not transmitting
Opto Sync RX	Not used	
Video Present	Green	– video signal present on video the channel indicated.

Physical Information

Dimensions

Height 3U Plug-in
Width..... 14HP
Depth 170mm excluding connectors
Weight..... 600grams

Mounting Details

The unit is designed to be mounted within a **2000** or **2005** Subrack on standard card guides. Note the AMG standard racks are supplied with guide rails every 7HP. In order to fit this unit in the subrack, 1 set of card guides have to be removed by pulling gently on the card guides.

The 2000 series subrack is fitted with a 50 watt power supply. A maximum of 5 units may be fitted into one 2000 series subrack.

The 2005 series subrack is fitted with a 100 watt power supply. A maximum of 5 units may be fitted into one 2005 series subrack.

Safety

The 2700 series of products uses a Class 1 laser system in accordance with EN 60825-2:2000.

It is always advisable to follow good practice when working with optical fibre systems. This includes:

- Do not stare with unprotected eyes or with any unapproved collimating device at fibre ends or connector faces, or point them at other people.
- Use only approved filtered or attenuating viewing aids

For other safety issues and advice on good practice associated with the optical fibres systems see EN 60825-2:2000 or your local safety officer.

Maintenance and Repair

There are no user serviceable parts within the AMG2600 products.

In case of problem or failure contact your local support centre or AMG Systems Ltd, Technical Support Department on tel. +44 (0) 1767 600777.

See unit data sheet for full specification.