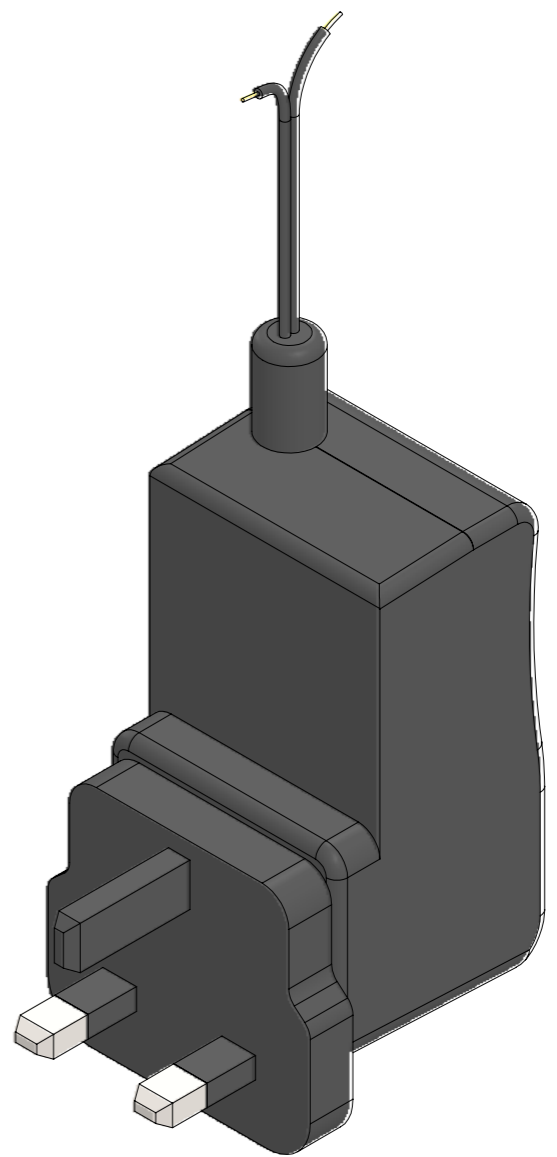
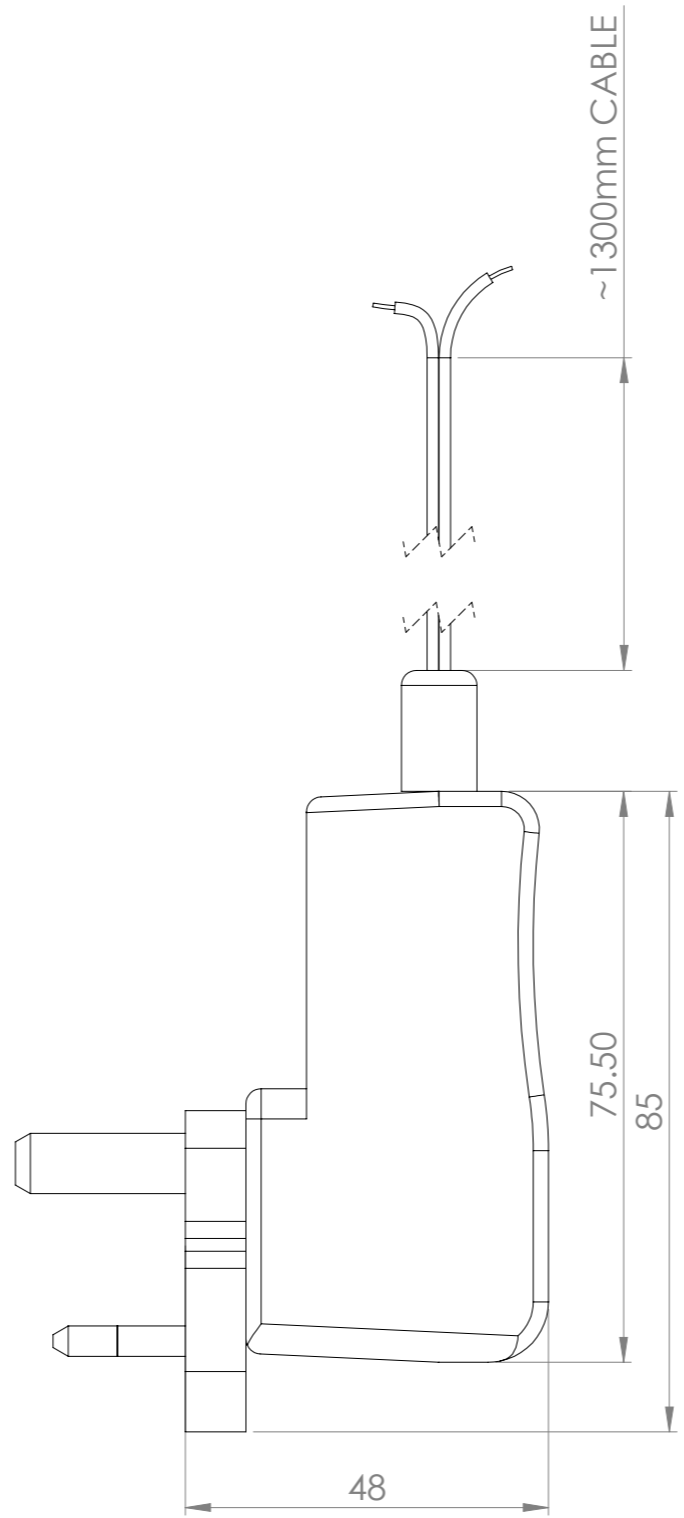
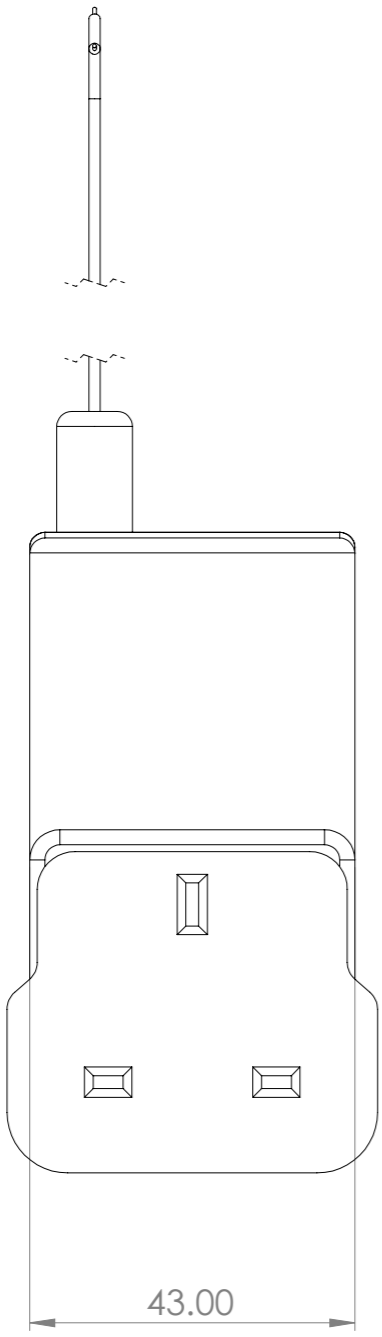


REVISION	DRN BY	DRN DATE	CHK BY	CHK DATE	CHANGE DESCRIPTION
01	JMc	12/09/23	TE	12/09/23	Initial drawing
-	-	-	-	-	-
-	-	-	-	-	-



DEBURR AND BREAK SHARP EDGES
DO NOT SCALE DRAWING

UNLESS OTHERWISE SPECIFIED:
DIMENSIONS ARE IN MILLIMETERS
TOLERANCES:
LINEAR: +/- 0.1
ANGULAR: +/- 0.5

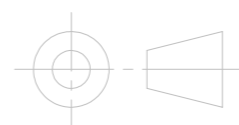
DWG NO. AMGPSU-W12-P25 ASSEMBLY

TITLE:
UK

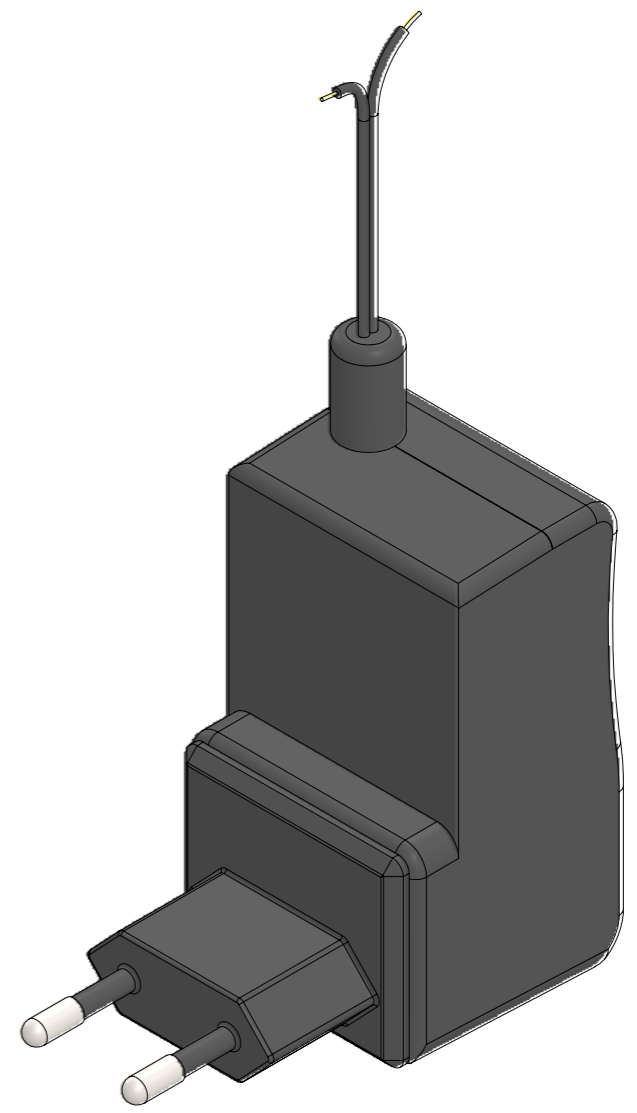
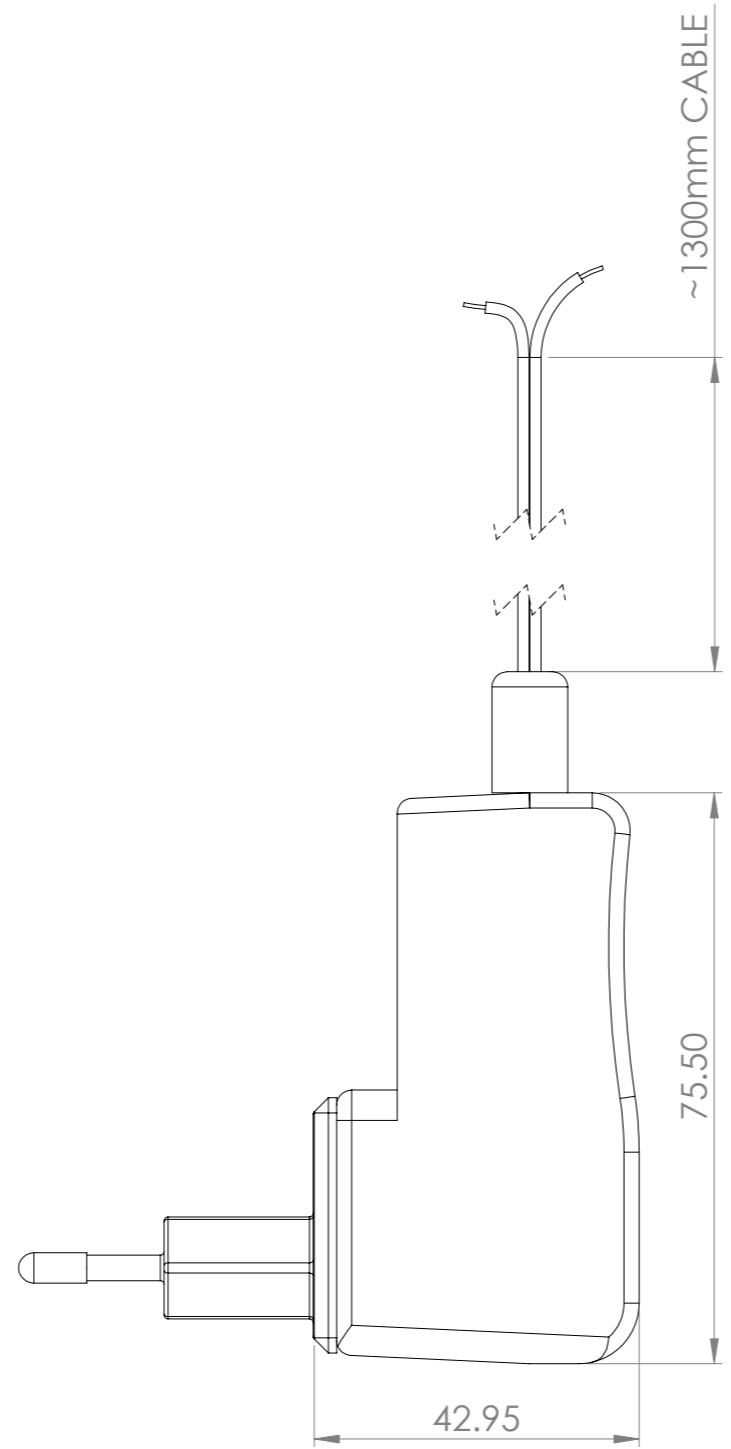
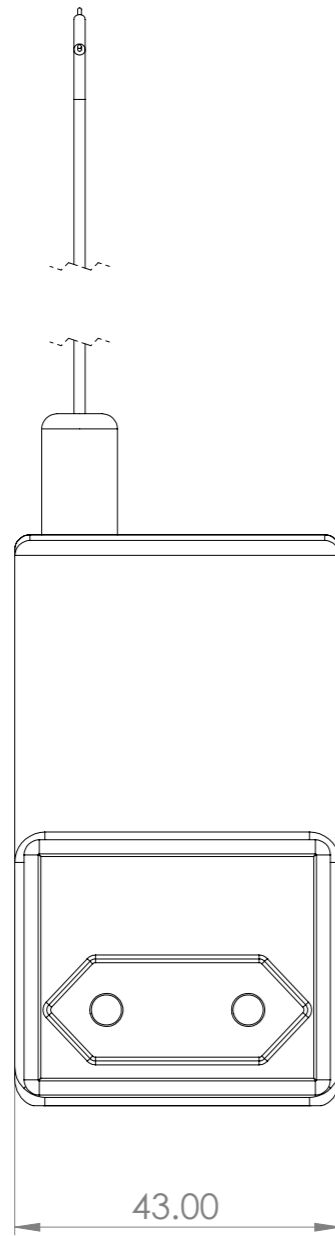


FINISH: Natural	REVISION 01
MATERIAL: -	A3
Document is property of AMG Systems Ltd and must not be shared, copied or printed without prior consent.	SHEET 1 OF 3

SCALE:1:1



REVISION	DRN BY	DRN DATE	CHK BY	CHK DATE	CHANGE DESCRIPTION
01	JMc	12/09/23	TE	12/09/23	Initial drawing
-	-	-	-	-	-
-	-	-	-	-	-



DEBURR AND BREAK SHARP EDGES
DO NOT SCALE DRAWING

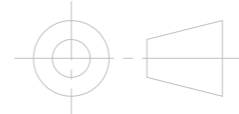
UNLESS OTHERWISE SPECIFIED:
DIMENSIONS ARE IN MILLIMETERS
TOLERANCES:
LINEAR: +/- 0.1
ANGULAR: +/- 0.5

DWG NO. AMGPSU-W12-P25 ASSEMBLY

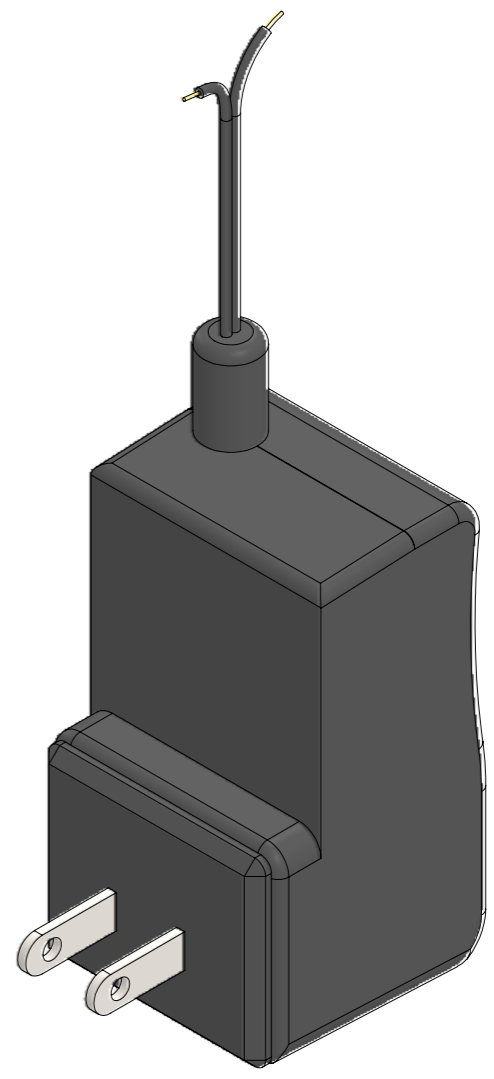
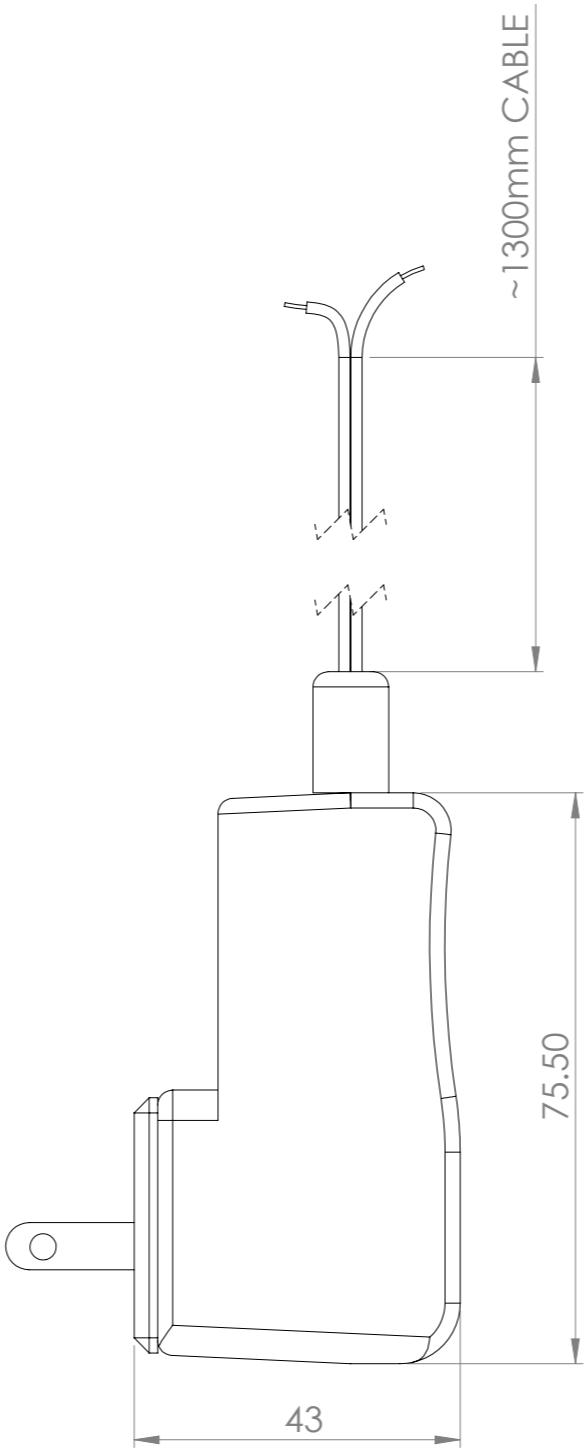
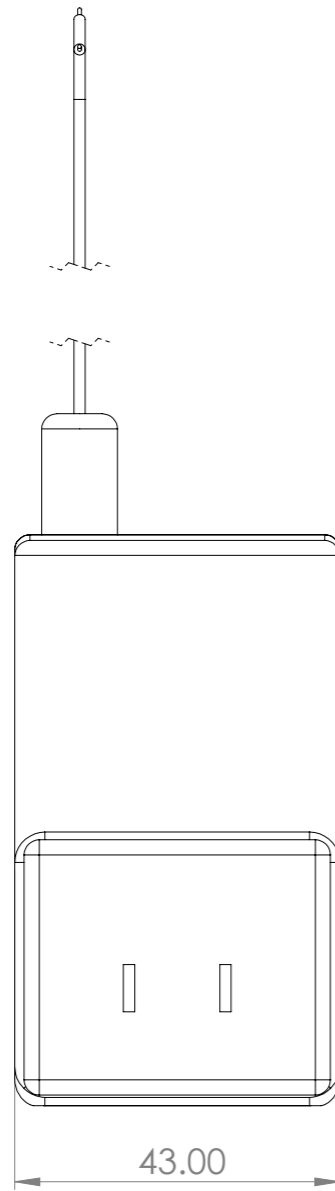
TITLE: EU

FINISH: Natural REVISION 01
MATERIAL: _ A3

Document is property of AMG Systems Ltd and must not be shared, copied or printed without prior consent. SCALE:1:1 SHEET 2 OF 3



REVISION	DRN BY	DRN DATE	CHK BY	CHK DATE	CHANGE DESCRIPTION
01	JMc	12/09/23	TE	12/09/23	Initial drawing
-	-	-	-	-	-
-	-	-	-	-	-



DEBURR AND BREAK SHARP EDGES
DO NOT SCALE DRAWING

UNLESS OTHERWISE SPECIFIED:
DIMENSIONS ARE IN MILLIMETERS
TOLERANCES:
LINEAR: +/- 0.1
ANGULAR: +/- 0.5

DWG NO.
AMGPSU-W12-P25 ASSEMBLY

TITLE:
USA



FINISH: Natural	REVISION 01
MATERIAL: _	A3
Document is property of AMG Systems Ltd and must not be shared, copied or printed without prior consent.	SHEET 3 OF 3

SCALE:1:1

