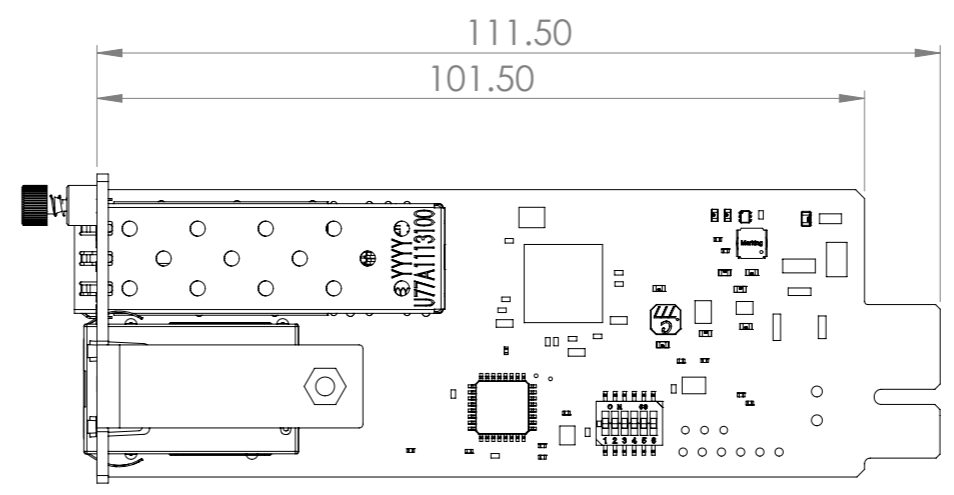
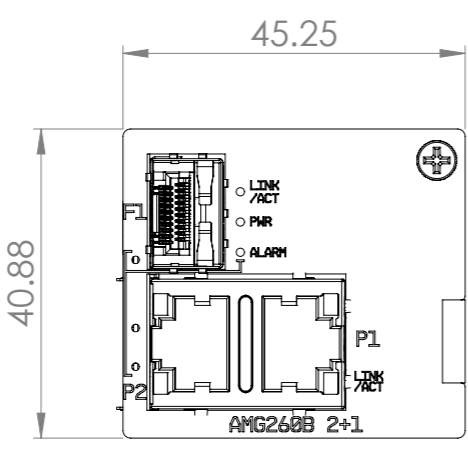
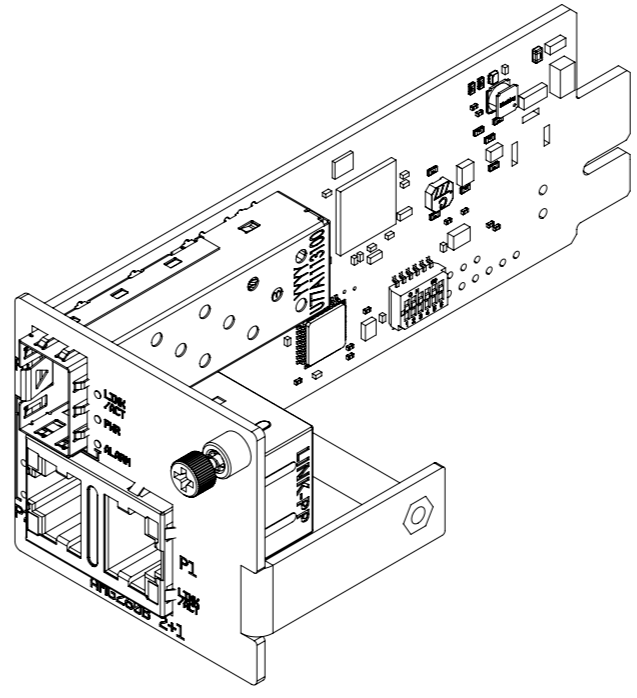
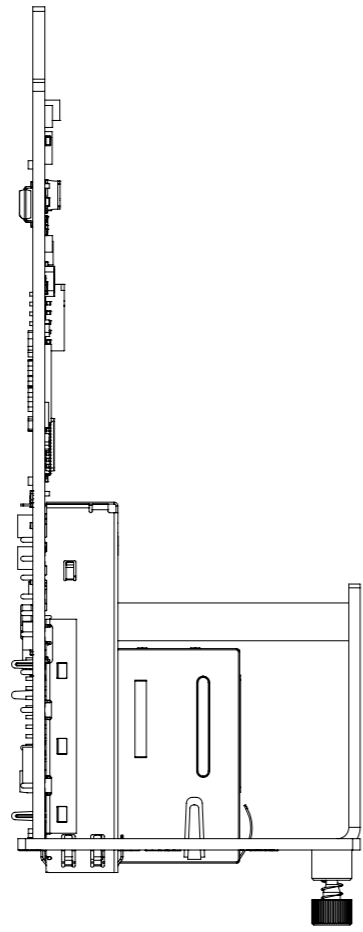


REVISION	DRN BY	DRN DATE	CHK BY	CHK DATE	CHANGE DESCRIPTION
01	JMc	28/03/24	TE	28/03/24	Initial drawing
-	-	-	-	-	-
-	-	-	-	-	-

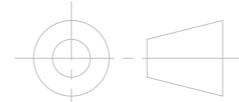


DEBURR AND BREAK SHARP EDGES  
DO NOT SCALE DRAWING

UNLESS OTHERWISE SPECIFIED:  
DIMENSIONS ARE IN MILLIMETERS  
TOLERANCES:  
LINEAR: +/- 0.1  
ANGULAR: +/- 0.5



DWG NO. AMG260B 2+1 Dimensional	
TITLE: AMG260B 2+1 Card Dimensional Drawing	
FINISH:	REVISION 01
MATERIAL:	A3
Document is property of AMG Systems Ltd and must not be shared, copied or printed without prior consent.	SHEET 1 OF 1



SCALE: 1:1