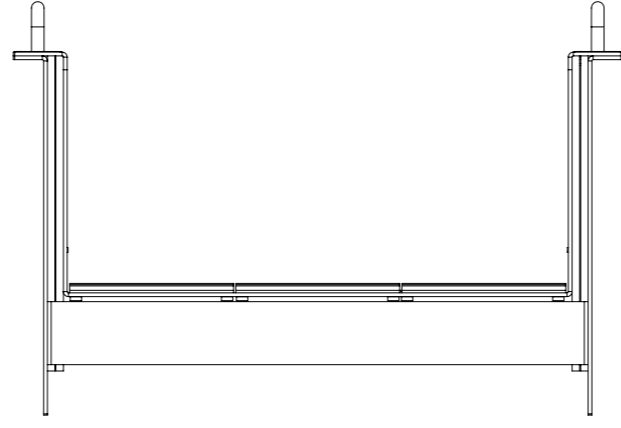
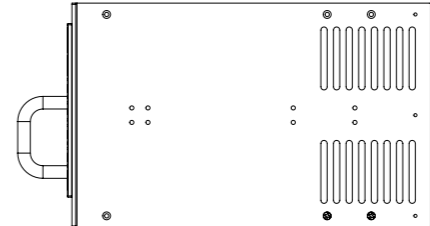
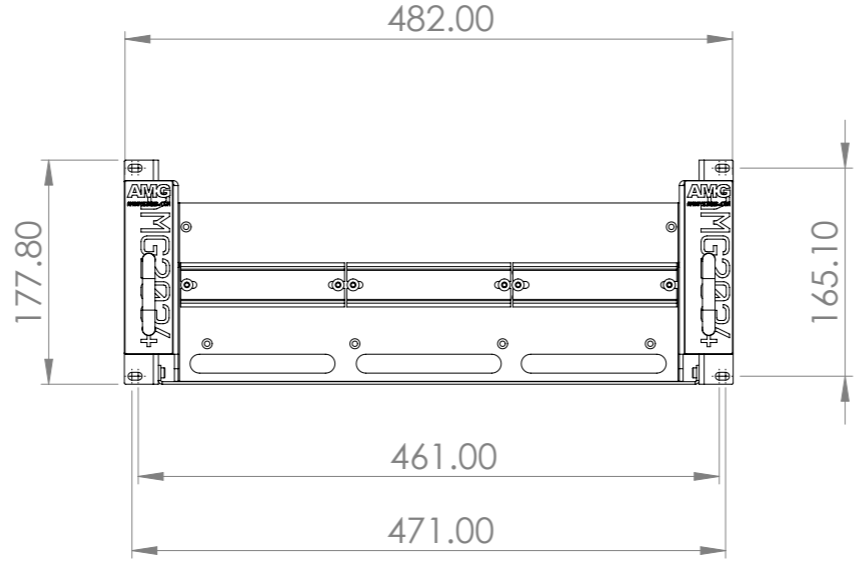
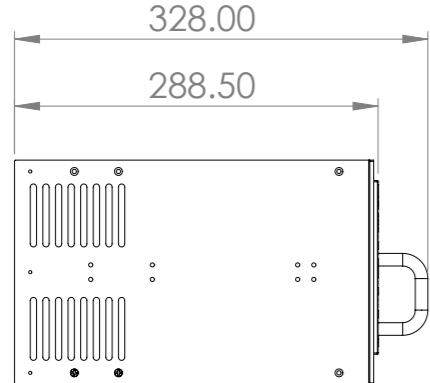
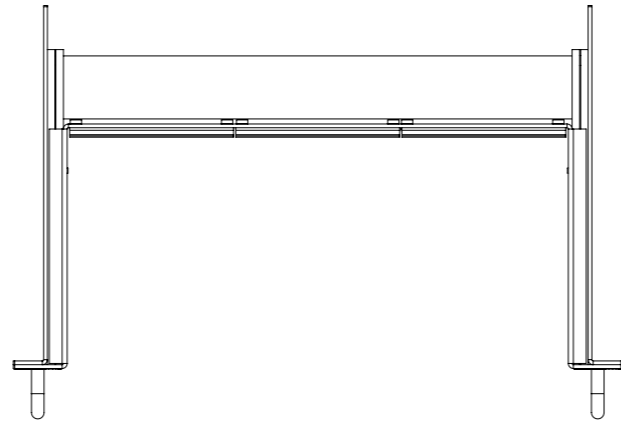


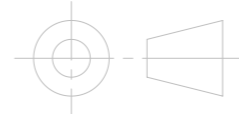
REVISION	DRN BY	DRN DATE	CHK BY	CHK DATE	CHANGE DESCRIPTION
01	AL	14/10/21	-	-	Initial drawing
-	-	-	-	-	-
-	-	-	-	-	-



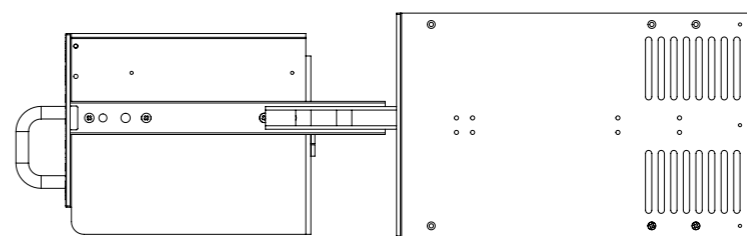
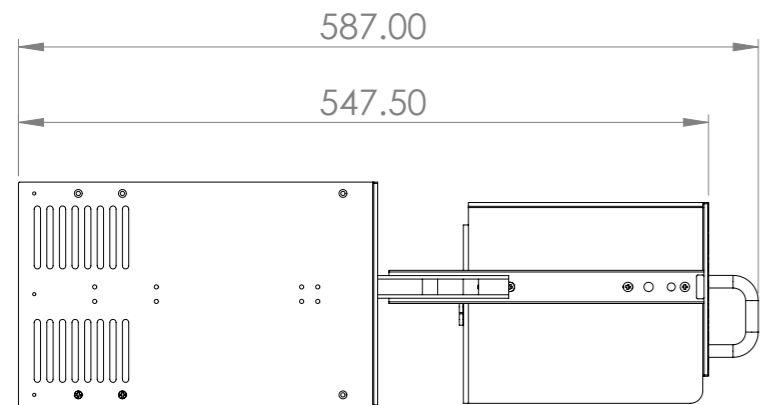
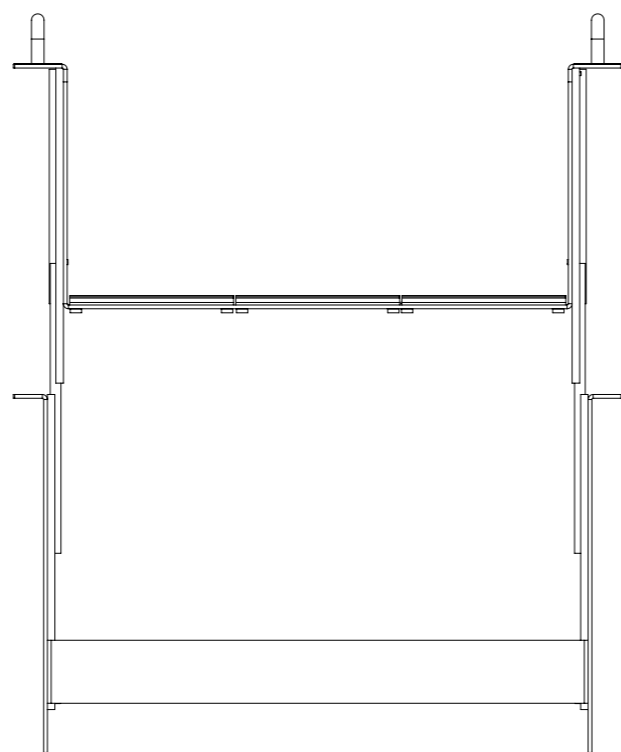
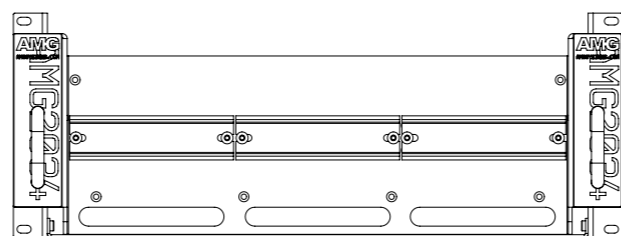
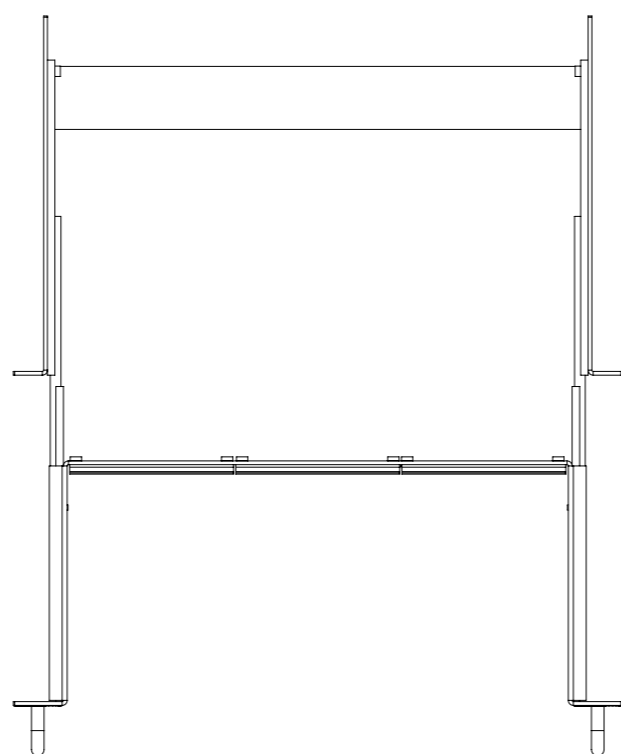
DEBURR AND BREAK SHARP EDGES  
DO NOT SCALE DRAWING

UNLESS OTHERWISE SPECIFIED:  
DIMENSIONS ARE IN MILLIMETERS  
TOLERANCES:  
LINEAR: +/- 0.1  
ANGULAR: +/- 0.5

DWG NO. NA		REVISION 01
TITLE: AMG2034 Dimensional Drawing		A3
FINISH: NA	MATERIAL: NA	SHEET 1 OF 2
Document is property of AMG Systems Ltd and must not be shared, copied or printed without prior consent.		SCALE: 1:6



REVISION	DRN BY	DRN DATE	CHK BY	CHK DATE	CHANGE DESCRIPTION
01	AL	14/10/21	-	-	Initial drawing
-	-	-	-	-	-
-	-	-	-	-	-

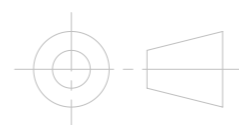


DEBURR AND BREAK SHARP EDGES  
DO NOT SCALE DRAWING

UNLESS OTHERWISE SPECIFIED:  
DIMENSIONS ARE IN MILLIMETERS  
TOLERANCES:  
LINEAR: +/- 0.1  
ANGULAR: +/- 0.5



DWG NO. NA	TITLE: AMG2034 Dimensional Drawing
FINISH: NA	REVISION 01
MATERIAL: NA	A3
Document is property of AMG Systems Ltd and must not be shared, copied or printed without prior consent.	SHEET 2 OF 2



SCALE:1:6