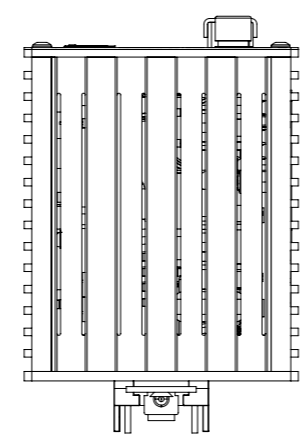
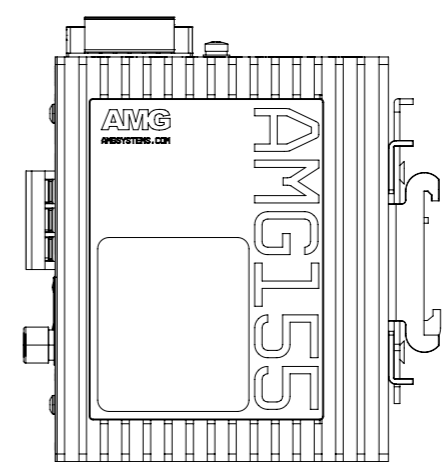
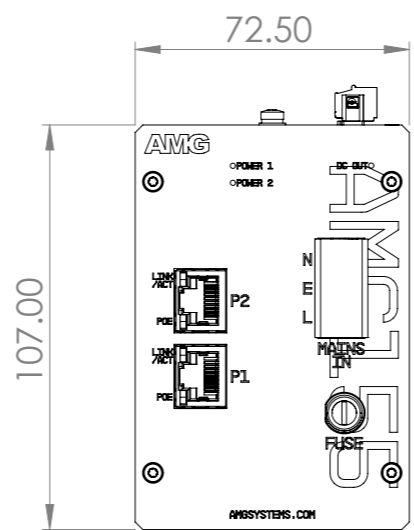
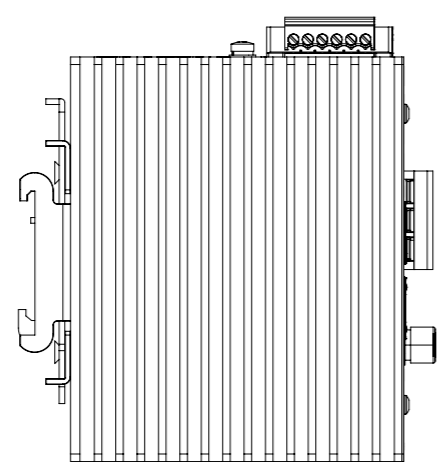
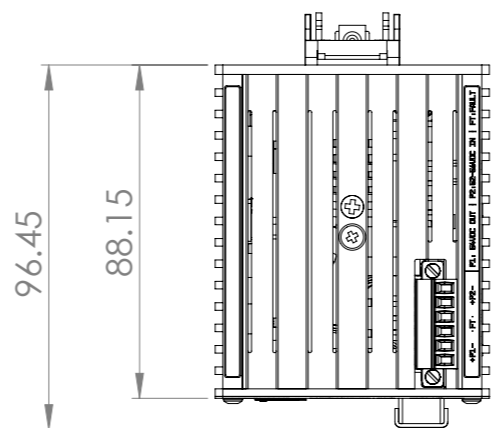
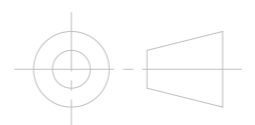


REVISION	DRN BY	DRN DATE	CHK BY	CHK DATE	CHANGE DESCRIPTION
01	JMc	13/01/23	TE	13/01/23	Initial drawing
-	-	-	-	-	-
-	-	-	-	-	-



DEBURR AND BREAK SHARP EDGES
DO NOT SCALE DRAWING

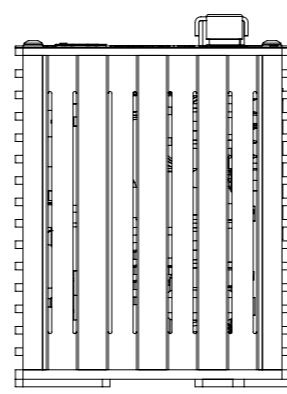
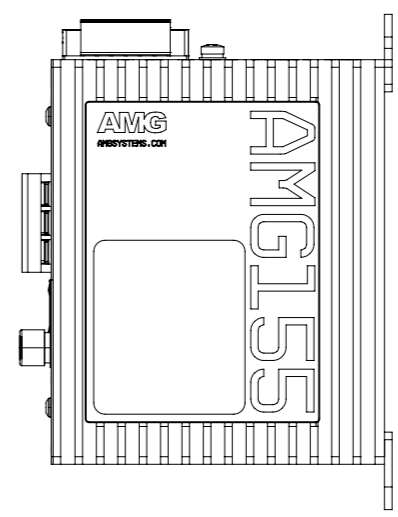
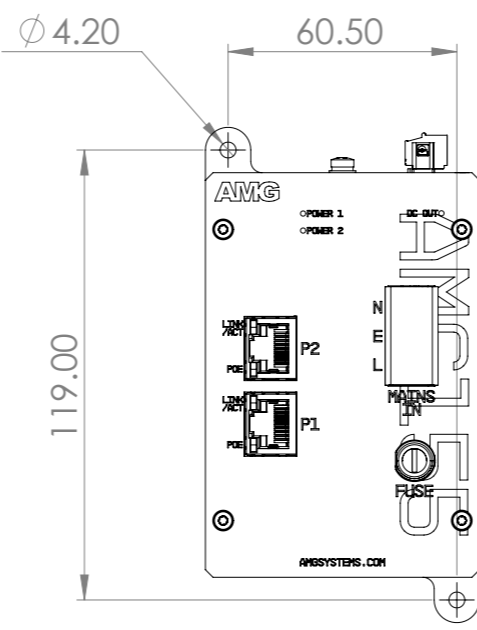
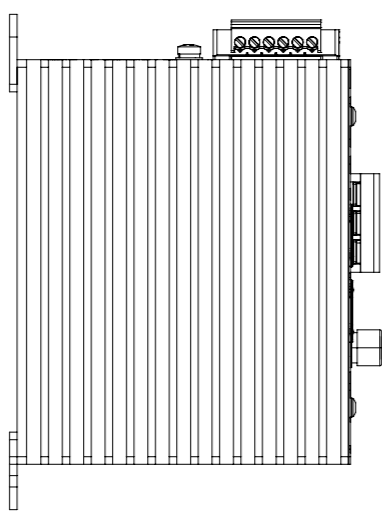
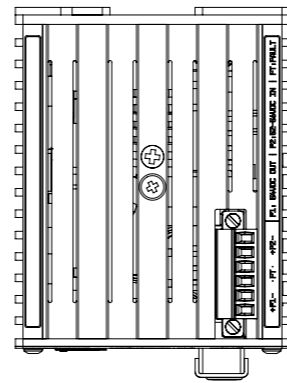
UNLESS OTHERWISE SPECIFIED:
DIMENSIONS ARE IN MILLIMETERS
TOLERANCES:
LINEAR: +/- 0.1
ANGULAR: +/- 0.5



DWG NO. AMG155-2GBT-P120-T	
TITLE: AMG155-2GBT-P120-T DIMENSIONAL DRAWING	
FINISH: Natural	REVISION 01
MATERIAL: _	A3
Document is property of AMG Systems Ltd and must not be shared, copied or printed without prior consent.	SHEET 1 OF 2

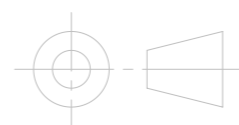
SCALE:1:2

REVISION	DRN BY	DRN DATE	CHK BY	CHK DATE	CHANGE DESCRIPTION
01	JMc	13/01/23	TE	13/01/23	Initial drawing
-	-	-	-	-	-
-	-	-	-	-	-



DEBURR AND BREAK SHARP EDGES
DO NOT SCALE DRAWING

UNLESS OTHERWISE SPECIFIED:
DIMENSIONS ARE IN MILLIMETERS
TOLERANCES:
LINEAR: +/- 0.1
ANGULAR: +/- 0.5



DWG NO. AMG155-2GBT-P120-T

TITLE: AMG155-2GBT-P120-T
DIMENSIONAL DRAWINGS

FINISH: Natural	REVISION 01
MATERIAL: _	A3
Document is property of AMG Systems Ltd and must not be shared, copied or printed without prior consent.	SHEET 2 OF 2

SCALE:1:2