

AMG MANAGED INDUSTRIAL HARDENED SWITCHES PLUS



Ruggedised Gigabit Ethernet Switches 90W PoE

AMG Managed Industrial Ethernet Switches are the Ethernet only products in AMG's Multi-Service Ethernet Switch series. Along with other devices in the series, the products offer unique features which will prove of huge benefit when implementing IP based, integrated security systems. It also supports Layer 2 Managed Ethernet functionality.



[AMG9HM2P-8G4H4N-2S-P480]

Gigabit x8	100/1000 x2	Managed Full	Temp -40°C~+75°C	Mounting DIN/Surface	Secure 802.1x

/ OVERVIEW

AMG Managed Industrial Switches have up to 8 Gigabit Ethernet ports which support PoE and PoE+. PoE 90W is supported on up to 4 ports. They also have up to 2 additional Gigabit SFP ports for data uplink.

The switches uniquely offer a common web-browser interface with the rest of all AMG Ethernet switch range for configuration of all aspects of the device.

Supporting 10/100/1000Mbps data rates, full duplex, this flexible, compact and easy to use fully managed Ethernet switch also has the benefit of Rapid Spanning Tree and Multiple Spanning Tree Protocols, with Ethernet Ring Protection Switching and IGMP functionality to deal with the multicast traffic which is commonly used in IP CCTV deployments.

/ FEATURES

- Compact format for minimum space usage
- 10/100/1000 Mbps full bandwidth Ethernet
- Compliant with all IEEE 802.3 variants (u/ab/x/z)
- Compliant with all relevant Safety and EMC Standards
- Dual Speed SFP ports
- Supports RSTP, MSTP, ERPS, SNMP v1/v2c/v3 and IGMP v1/v2/v3
- Port trunk functionality available with LACP
- LED indicators
- IEEE 802.1x Port Security
- Easy to maintain
- Extended operating temperature compared with industry equivalents -40°C to +75°C
- On-board 90W PoE
- Console Port
- Optional Serial and I/O capability

Specifications.

Standards.

IEEE 802.3i	10Base-T
IEEE 802.3u	100Base-TX, 100Base-FX
IEEE 802.3ab	1000Base-T
IEEE 802.3z	1000Base-X
IEEE 802.3x	Flow Control and Back Pressure
IEEE 802.3ac	Frame Size Extension
IEEE 802.3az	Energy Efficient Ethernet
IEEE 802.1D	Spanning Tree
IEEE 802.1w	Rapid Spanning Tree
IEEE 802.1s	Multiple Spanning Tree
IEEE 802.1p	QoS Priority Marking (Q4 2017)
IEEE 802.1Q	VLANs
IEEE 802.1x	Port Security
IEEE 802.3at/af	Power over Ethernet
RFC1112	IGMP v1
RFC2236	IGMP v2
RFC3376	IGMP v3
RFC2030	Simple Network Time Protocol
RFC2131/3736	Dynamic Host Configuration Protocol (client/server - IPv4)
ITU-T G.8032	Ethernet Ring Protection Switching (ERPS) (Q4 2017)

Other	SNMP v1, v2c, v3 Synchronous Ethernet Ingress Rate Limiting (storm Control) (Q4 2017)
Backplane	1Gbps Max
Wake-on-LAN	Per Port
Processing Type	Store-and-Forward
Address Table Size	1K MAC addresses
Jumbo Frames	up to 10K
Bandwidth Control	Ingress Packet Filter and Egress Rate Limit The packet filter rate can be set from 100K to 250Mbps

Interface.

LED Indicators	
Per unit	10/100/1000, FDX/HDX
Software Update Configuration:	Remote Programmable Web Browser, SNMP, CLI

Ethernet.

	Auto MDI/MDIX
RJ45 Ports UTP	4x or 8x 10/100/1000T
SFP Ports	1x or 2x 100/1000M

Power.

Input Voltage	
PoE	DC +48V to +56V
Power Consumption	6 Watts
Reverse Polarity Protection	Yes
Note:	Redundant PSUs are supported

PoE/PoE+/PoE60.

Output Power	15 to 90W
Output Voltage	DC +50V to +57V
Output Current Max	600mA
Total PoE Power Budget	Max 480W

General.

Operating Temp.	-40°C to +75°C
Storage Temp.	-50°C to +85°C
Ambient Relative Humidity	0% to 95% (Non-condensing)
MTBF	>310,000 hrs

Mechanical.

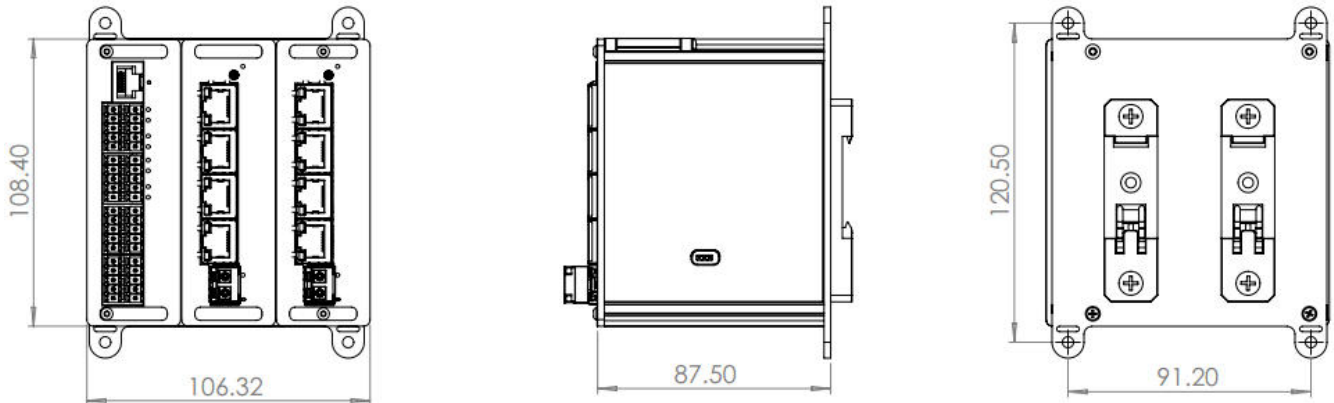
Casing	IP 30 Protection Metal case
Dimensions (W x D x H)	
4-port	72 x 120 x 87 mm
8-port	108 x 120 x 87 mm
12-port	144 x 120 x 87 mm
16-port	180 x 120 x 87 mm
20-port	216 x 120 x 87 mm

Weight	1kg
Installation	Wall Mount or DIN-Rail Design

Regulatory.

Europe	CE
US	FCC

Specifications.



Part Numbers.

AMG9HM2P-4G2H2N-2S-P240	2x 10/100/1000TX with 802.3at PoE 90W, 2x 10/100/1000TX with 802.3at PoE+, 2x 1000M SFP, -40°C to +75°C
AMG9HM2P-8G4H4N-2S-P480	4x 10/100/1000TX with 802.3at PoE 90W, 4x 10/100/1000TX with 802.3at PoE+, 2x 1000M SFP, -40°C to +75°C

Recommended PSUs.

PoE Variants	AMG2012	48-56V _{DC} 5A, 240W PSU, DIN rail mount
	AMG2013	48-56V _{DC} 10A, 480W PSU, DIN rail mount

Notes.

Other port options are also available.

Optional Accessories: SFP modules - Optical/Copper see separate list, need to be ordered separately

AMG is in the process of ensuring our devices comply with the new 802.3bt 60W and 90W PoE standard.

Until such time as all Manufacturers of PSE's and PD's comply with the new standard, we recommend that our Customers test compatibility of their 60W and 90W PD's with AMG PSE's.

Proud to be a British
Manufacturer 